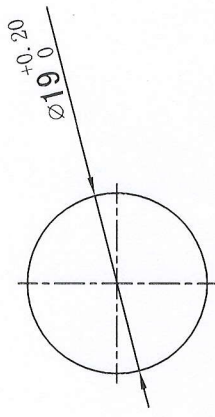
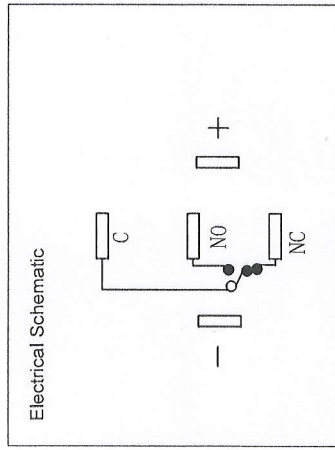
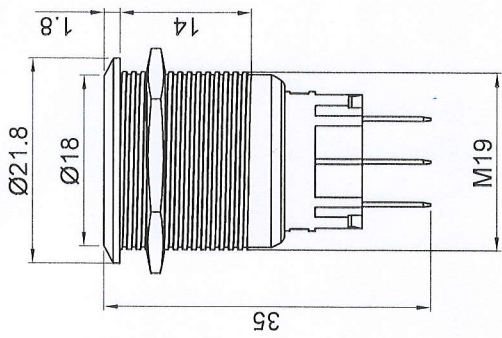
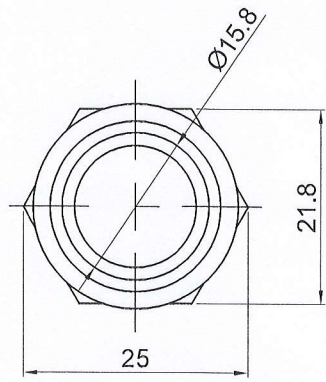
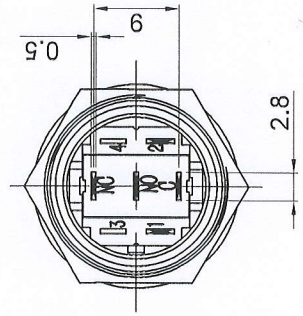
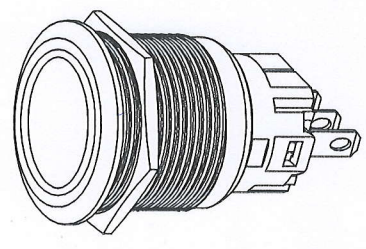


更改	说明	修改人	审核
----	----	-----	----



PANEL CUTOUT
MAX.PANEL THICKNESS
12mm



Specifications

Function: Momentary
Contact Arrangement: SPDT 1NO1NC
Mounting Type: Threaded Front Panel Mount
Torque For Threaded Body: 5-14Nm
LED Illumination: With LED, Any color is available.

Mechanical

Operating Life: ≥ 500,000 Cycles
Total Travel: About 3.0mm
Operating Force: 3.5±1N

Electrical

Contact Rating: 5A 250VAC ; 10A 125VAC
2A 48VDC; 10A 12VDC

Operating Life: ≥50,000 Make-and-Break Cycles at Full Load
Dielectric Strength: 2,000V RMS @Sea Level
Insulation Resistance: 1,000MΩ Min @500VDC
Contact Resistance: 50mΩ max

Materials

Bushing: Stainless Steel / Brass Nickel Plated / Aluminum Alloy
Base: PBT (UL94-V0)
Actuator: Stainless Steel / Brass Nickel Plated / Aluminum Alloy
Internal Assembly: POM/PA66
Spring: Steel
Sealing/O-Ring: Silicone
Terminals: Brass with Gold Plated
Contact: Copper Silver Plated

Operating Environment

Operating Temperature: -25 °C to +55 °C
Sealing/Protection: IP65

NOTE: Specifications and materials listed above are for switches with standard options. For information on specific and custom switches, please contact Customer Service.

DR. 制图	APPD 审核	SCALE 1.5/1	UNIT mm
DE. 设计	CHKD 校对	TITLE 名称	PUSH BUTTON SWITCH
DIMENSIONS	Tolerance	DWG NO.	FILE NAME
0.00 ~ 10.00mm	±0.15mm	30.01 ~ 80.00mm	±0.25mm
10.01 ~ 30.00mm	±0.20mm	80.01 ~ 150.00mm	±0.30mm
150.01mm ↑	±0.40mm		
SHEET 1 / 1		REV. 1	1